

KOMATSU®

PC600LC-8 MATERIAL HANDLER

NET HORSEPOWER
320 kW **429 HP** @ 1,800 rpm

OPERATING WEIGHT
66083–67399 kg
145,686–148,586 lb

REACH
16.8–18.3 m **55'–60'**

PC
600
LC



Photos may include optional equipment

MATERIAL HANDLER

WALK AROUND

The Komatsu PC Material Handling series is a full product line with solutions for all of your material handling needs. Komatsu...the unparalleled, one-stop shopping source for rugged and cutting edge material handling equipment!

For Use In:

- Scrap Processing
 - Stockpiling of recycled materials
 - Transfer station material feeding
- Bulk Material Handling
 - Coal, coke, and ore
 - Sand and gravel
 - Grain



Features:

- Long track provides excellent stability
- Dual function machine, grapple or magnet operation
- Choice of elevated cabs for excellent all-around visibility
- Two-pump system provides smooth, fast, compound movements maximizing productivity
- Centralized lubrication points decrease service time

Material Handling System Includes:

- Choice of 16.8 m **55'** or 18.3 m **60'** two-piece attachment with underslung hydraulic cylinders
- Plumbing for grapple operation
- Electrical cable for magnet operation
- Centralized lube plumbing
- Magnet connecting link
- Manual tilt cab riser
- Access platform with stairs and railings
- Optional widened carbody for improved stability
- Front window guard
- Hydraulic control package provides functions to open, close, and rotate grapple. Includes control handles and switches in cab
- Hydraulic-driven 25 kw generator
- Generator controller and magnet instrumentation mounted in the cab riser. Load power gauge with operating switches installed in operator's cab
- Parts, service, and operator's manuals



KOMTRAX equipped machines can send location, SMR and operation maps to a secure website utilizing wireless technology. Machines also relay error codes, cautions, maintenance items, fuel levels, and much more.

NET HORSEPOWER

320 kW 429 HP @ 1,800 rpm

OPERATING WEIGHT

66083 – 67399 kg

145,686 – 148,586 lb**REACH**

16.8 – 18.3 m

55' – 60' yd***Hydraulics***

Unique two-pump system provides smooth compound movement of the work equipment. Open Center Load Sensing System (OLSS) controls all pumps for efficient engine power use. This system also reduces hydraulic loss during operation.

Large Comfortable Cab

Low noise and vibration with cab damper mounting.

Environment-Friendly Clean Engine

The PC600LC-8 gets its exceptional power and work capacity from a Komatsu engine. Net output is 320 kW **429 HP**, providing increased hydraulic power and improved fuel efficiency.

Komatsu's SAA6D140E-5 engine is EPA Tier 3 emissions certified.



SPECIFICATIONS



ENGINE

Model Komatsu SAA6D140E-5
 Type Water-cooled, 4-cycle, direct injection
 Aspiration Turbocharged, aftercooled, cooled EGR
 Number of cylinders 6
 Bore 140 mm **5.51"**
 Stroke 165 mm **6.50"**
 Piston displacement 15.24 ltr **930 in³**
 Governor All-speed control, electronic
 Horsepower:
 SAE J1995 Gross 323 kW **433 HP**
 ISO 9249 / SAE J1349 Net 320 kW **429 HP**
 Hydraulic fan at maximum speed Net 288 kW **386 HP**
 Rated rpm 1800 rpm
 Fan drive type Hydraulic

EPA Tier 3 and EU stage 3A emissions certified.



HYDRAULICS

Type Open-center load-sensing system
 Number of selectable working modes 3
 Main pump:
 Type Variable-capacity piston pumps
 Pumps for Boom, arm, bucket, swing, and travel circuits
 Maximum flow 2 x 410 ltr/min **2 x 108 U.S. gal/min**
 Sub-pump for control circuit Gear pump
 Hydraulic motors:
 Travel 2 x axial piston motors with parking brake
 Swing 2 x axial piston motors with swing holding brake
 Relief valve setting:
 Implement circuits 31.9 MPa 325 kgf/cm² **4,620 psi**
 Travel circuit 34.3 MPa 350 kgf/cm² **4,980 psi**
 Swing circuit 25.5 MPa 260 kgf/cm² **3,700 psi**
 Pilot circuit 2.9 MPa 30 kgf/cm² **430 psi**
 Hydraulic cylinders:
 (Number of cylinders – bore x stroke x rod diameter)
 Boom 2–190 mm x 1562 mm x 127 mm **7.5" x 61.5" x 5.0"**
 Arm 1–190 mm x 1981 mm x 127 mm **7.5" x 78.0" x 5.0"**



DRIVES AND BRAKES

Steering control Two levers with pedals
 Drive method Fully hydrostatic
 Travel motor Axial piston motor, in-shoe design
 Reduction system Planetary triple reduction
 Maximum drawbar pull 415 kN 42300 kgf **93,250 lb**
 Gradeability 70%
 Maximum travel speed:
 Low 3.0 km/h **1.9 mph**
 High 4.9 km/h **3.0 mph**
 Service brake Hydraulic lock
 Parking brake Oil disc brake



SWING SYSTEM

Drive method Hydraulic motors (2)
 Swing reduction Planetary gear
 Swing circle lubrication Grease-bathed
 Swing lock Oil disc brake
 Swing speed 8.3 rpm
 Swing torque 21369 kg•m **154,481 ft. lbs.**



UNDERCARRIAGE

Center frame H-leg frame
 Track frame Box-section
 Track type Sealed
 Track adjuster Hydraulic
 Number of shoes 52 each side
 Number of carrier rollers 3 each side
 Number of track rollers 9 each side



COOLANT AND LUBRICANT CAPACITY (REFILLING)

Fuel tank	880 ltr	232.5 U.S. gal
Radiator	58 ltr	15.3 U.S. gal
Engine	40 ltr	10.6 U.S. gal
Final drive, each side	10 ltr	2.6 U.S. gal
Swing drive	2 x 13 ltr	2 x 3.4 U.S. gal
Hydraulic tank	360 ltr	95.0 U.S. gal



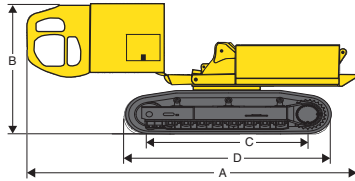
OPERATING WEIGHT (APPROXIMATE)

Operating weight w/o Grapple:
 16.8 m **55"** 66083 kg **145,686 lb**
 18.3 m **60"** 67399 kg **148,586 lb**



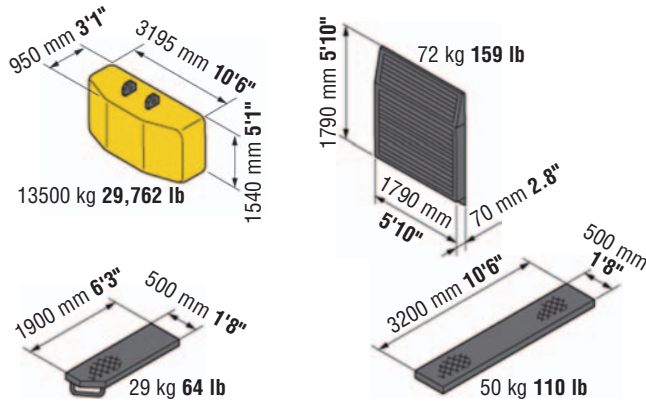
SHIPPING WEIGHTS AND DIMENSIONS (APPROXIMATE)

Base Machine

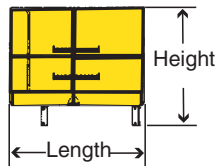


	Description	Dimensions
A	Overall length	8788 mm 28'10"
B	Overall height	3251 mm 10'8"
C	Length of track on ground	4600 mm 15'1"
D	Length of track	5690 mm 18'8"
	Track gauge	2590 mm 8'6"
	Overall width	3490-4200 mm 11'6"-13'10"
	Weight	43091 kg 95,000 lb

Others

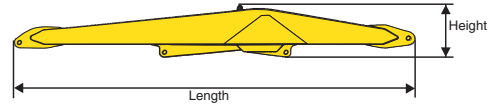


Platform, Ladder, and Railing



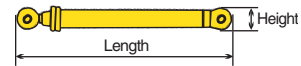
Description	1981 mm 78" (6'6") Riser
Dimensions	L x W x H
	mm ft in
	1845 x 1245 x 1168 6'1" x 4'1" x 3'10"
Weight	kg lb
	200 440

2-Piece Front



Description	Model	K02US55-PC600-8 16.8 m 55' front Boom Stick		K02US60-PC600-8 18.3 m 60' front Boom Stick	
		Length	mm ft in	9754 32'0"	7722 25'4"
Width	mm ft in	1118 3'8"	508 1'8"	1118 3'8"	508 1'8"
Height	mm ft in	1422 4'8"	1448 4'9"	1524 5'0"	1524 5'0"
Weight	kg lb	5897 13,000	2835 6,250	6804 15,000	3062 6,750

Arm Cylinder Group



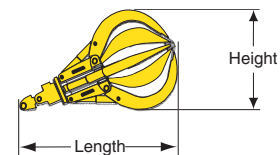
Description		2-Piece Front
Length	mm ft in	3023 9'11"
Width	mm ft in	305 1'0"
Height	mm ft in	305 1'0"
Weight	kg lb	680 1,500

Boom Cylinders



Length	mm ft in	2616 8'7"
Width	mm ft in	330 1'1"
Height	mm ft in	330 1'1"
Weight	kg lb	612 ea. x 2 1,350 ea. x 2

Grapple



Description	Model L0300C
Dimensions	L x W x H
	mm ft in
	3505 x 2134 x 2134 11'6" x 7'0" x 7'0"
Weight	kg lb
	3629 8,000

PC600LC-8 MATERIAL HANDLER

LIFTING CAPACITIES



LIFTING CAPACITY

- A: Reach from swing center
- B: Stick tip height
- C: Lifting capacity
- Cf: Rating over front
- Cs: Rating over side

- Conditions:
(In addition to PC600LC-8 base machine)
- 2-piece front attachment with hydraulic cylinders
 - 1981 mm 78" manual tilt cab riser with platform, stairs, and handrails
 - Front window guard

- Hydraulic plumbing and control package for grapple operation
- Widened car body
- 4,400 psi working pressure
- 4065 mm 160" gauge
- 750 mm 29.5" shoes

PC600LC-8		Young 2-Piece Front - 16.8 m 55' (K02US55-PC600LC-8)																		Unit: kg lb		
A	B	3.0 m 10'		4.6 m 15'		6.1 m 20'		7.6 m 25'		9.1 m 30'		10.7 m 35'		12.2 m 40'		13.7 m 45'		15.2 m 50'		16.8 m 55'		
		Cf	Cs	Cf	Cs	Cf	Cs	Cf	Cs	Cf	Cs	Cf	Cs	Cf	Cs	Cf	Cs	Cf	Cs	Cf	Cs	
18.3 m 60'																						
16.8 m 55'								*8700 *19,200	*8700 *19,200													
15.2 m 50'										*8300 *18,300	*8300 *18,300	*6300 *14,000	*6300 *14,000									
13.7 m 45'										*8800 *19,500	*8800 *19,500	*7900 *17,500	*7900 *17,500	*5900 *13,100	*5900 *13,100							
12.2 m 40'										*9100 *20,100	*9100 *20,100	*8600 *19,000	*8600 *19,000	*7500 *16,500	*7500 *16,500	*4800 *10,500	*4800 *10,500					
10.7 m 35'										*9300 *20,500	*9300 *20,500	*9100 *20,000	*9100 *20,000	*8300 *18,400	*8300 *18,400	*6800 *14,900	*6800 *14,900					
9.1 m 30'										*9600 *21,200	*9600 *21,200	*9600 *21,200	*9600 *21,200	*9100 *20,000	*9100 *20,000	*7800 *17,200	*7800 *17,200	*5100 *11,200	*5100 *11,200			
7.6 m 25'										*10200 *22,600	*10200 *22,600	*10400 *22,900	*10400 *22,900	*9900 *21,800	*9900 *21,800	*8700 *19,100	*8700 *19,100	*6500 *14,300	*6500 *14,300			
6.1 m 20'								*10500 *23,200	*10500 *23,200	*11500 *25,400	*11500 *25,400	*11600 *25,600	*11600 *25,600	*10400 *23,000	*10400 *23,000	*9300 *20,500	*9300 *20,500	*7400 *16,400	*7400 *16,400			
4.6 m 15'				*11800 *26,000	*11800 *26,000	*13600 *30,100	*13600 *30,100	*13600 *30,600	*13900 *30,600	*12000 *26,500	*12000 *26,500	*10500 *23,200	*10500 *23,200	*9300 *20,500	*9300 *20,500	*8200 *18,000	*8200 *18,000	8000 *17,600	8000 *17,600			
3.0 m 10'				*21800 *48,000	*21800 *48,000	*17300 *38,100	*17300 *38,100	*14300 *31,600	*14300 *31,600	*12200 *27,000	*12200 *27,000	*10600 *23,400	*10600 *23,400	*9200 *20,400	9200 *20,400	*8000 *17,600	8000 *17,300	*4500 *10,000	*4500 *10,000			
1.5 m 5'				*20200 *44,600	*20200 *44,600	*17700 *39,100	*17700 *39,100	*14600 *32,100	*14600 *32,100	*12300 *27,100	*12300 *27,100	*10500 *23,200	*10500 *23,200	*9100 *20,000	9100 *20,000	*7700 *17,000	*7700 *17,000	*4500 *10,000	*4500 *10,000			
0.0 m 0'				*9000 *19,900	*9000 *19,900	*17500 *38,700	*17500 *38,700	*14400 *31,700	*14400 *31,700	*12100 *26,600	*12100 *26,600	*10200 *22,600	*10200 *22,600	*8700 *19,200	*8700 *19,200	*7200 *15,900	*7200 *15,900					
-1.5 m -5'			*3000 *6,600	*3000 *6,600	*7900 *17,400	*7900 *17,400	*16700 *36,800	*16700 *36,800	*13800 *30,400	*13800 *30,400	*11500 *25,400	*11500 *25,400	*9700 *21,400	*9700 *21,400	*8100 *17,900	*8100 *17,900	*6400 *14,100	*6400 *14,100				
-3.0 m -10'			*4300 *9,500	*4300 *9,500	*8400 *18,500	*8400 *18,500	*15100 *33,400	*15100 *33,400	*12600 *27,800	*12600 *27,800	*10600 *23,300	*10600 *23,300	*8800 *19,400	*8800 *19,400	*7100 *15,700	*7100 *15,700	*5100 *11,300	*5100 *11,300				
-4.6 m -15'					*9600 *21,200	*9600 *21,200	*12900 *28,400	*12900 *28,400	*10900 *24,000	*10900 *24,000	*9100 *20,000	*9100 *20,000	*7400 *16,300	*7400 *16,300	*5600 *12,300	*5600 *12,300						

Note: Capacities are measured at the bare stick tip.

Capacities marked with an asterisk (*) are limited by hydraulic capacities rather than stabilities.

1. Lifting capacities shown do not exceed 75% of minimum tipping loads or 87% of hydraulic capacities. Data supplied by AEM.
2. Lifting capacities shown should not be exceeded. Weight of all lifting accessories must be considered part of the load.
3. Lifting capacities assume the machine is standing level on a firm, uniform supporting surface. The user must make allowances for unfavorable job conditions such as soft or uneven ground or sudden stopping of loads.
4. The least stable position is over the side.
5. The operator should be fully acquainted with the Operation Manual before operating the machine.
6. Capacities apply only to the machine equipped as stated here.
7. Capacities are based on PCSA gross rated loads.



LIFTING CAPACITY

A: Reach from swing center
 B: Stick tip height
 C: Lifting capacity
 Cf: Rating over front
 Cs: Rating over side

Conditions:
 (In addition to PC600LC-8 base machine)

- 2-piece front attachment with hydraulic cylinders
- 1981 mm 78" manual tilt cab riser with platform, stairs, and handrails
- Front window guard

- Hydraulic plumbing and control package for grapple operation
- Widened car body
- 4,400 psi working pressure
- 4065 mm 160" gauge
- 750 mm 29.5" shoes

PC600LC-8		Young 2-Piece Front - 18.3 m 60' (K02US60-PC600LC-8)																				Unit: kg lb		
A	B	3.0 m 10'		4.6 m 15'		6.1 m 20'		7.6 m 25'		9.1 m 30'		10.7 m 35'		12.2 m 40'		13.7 m 45'		15.2 m 50'		16.8 m 55'		18.3 m 60'		
		Cf	Cs	Cf	Cs	Cf	Cs	Cf	Cs	Cf	Cs	Cf	Cs	Cf	Cs	Cf	Cs	Cf	Cs	Cf	Cs	Cf	Cs	
18.3 m 60'																								
16.8 m 55'												*7300	*7300											
												*16,000	*16,000											
15.2 m 50'														*7000	*7000									
														*15,400	*15,400									
13.7 m 45'														*8000	*8000	*6400	*6400							
														*17,700	*17,700	*14,200	*14,200							
12.2 m 40'														*8700	*8700	*7600	*7600	*5400	*5400					
														*19,200	*19,200	*16,800	*16,800	*12,000	*12,000					
10.7 m 35'														*9300	*9300	*8400	*8400	*6800	*6800					
														*20,500	*20,500	*18,600	*18,600	*15,100	*15,100					
9.1 m 30'														*9400	*9400	*8500	*8500	*7700	*7700	*5300	*5300			
														*20,800	*20,800	*18,800	*18,800	*17,000	*17,000	*11,700	*11,700			
7.6 m 25'												*10700	*10700	*9500	*9500	*8600	*8600	*7700	*7700	*6500	*6500			
												*23,600	*23,600	*21,000	*21,000	*18,900	*18,900	*17,000	*17,000	*14,300	*14,300			
6.1 m 20'										*12200	*12200	*11000	*11000	*9700	*9700	*8600	*8600	*7700	*7700	*6800	6700			
										*26,900	*26,900	*24,200	*24,200	*21,400	*21,400	*19,000	*19,000	*17,000	*17,000	*15,000	14,700			
4.6 m 15'				*13000	*13000	*15000	*15000	*13100	*13100	*11200	*11200	*9800	*9800	*8700	*8700	*7700	*7700	*6700	6600					
				*28,600	*28,600	*32,800	*32,800	*28,800	*28,800	*24,800	*24,800	*21,700	*21,700	*19,100	*19,100	*16,900	*16,900	*14,700	14,500					
3.0 m 10'						*16300	*16300	*13500	*13500	*11400	*11400	*9900	*9900	*8600	*8600	*7600	7500	*6500	6400	*4600	*4600			
						*35,900	*35,900	*29,700	*29,700	*25,200	*25,200	*21,800	*21,800	*19,000	*19,000	*16,700	16,600	*14,400	14,200	*10,100	*10,100			
-1.5 m 5'				*16800	*16800	*16600	*16600	*13600	*13600	*11500	*11500	*9800	*9800	*8500	*8500	*7300	7300	*6300	*6300	*4600	*4600			
				*37,000	*37,000	*36,600	*36,600	*30,000	*30,000	*25,300	*25,300	*21,700	*21,700	*18,800	*18,800	*16,200	16,200	*13,800	*13,800	*10,200	*10,200			
0.0 m 0'				*8300	*8300	*16400	*16400	*13400	*13400	*11300	*11300	*9600	*9600	*8300	*8300	*7000	*7000	*5800	*5800					
				*18,200	*18,200	*36,100	*36,100	*29,600	*29,600	*24,900	*24,900	*21,200	*21,200	*18,200	*18,200	*15,500	*15,500	*12,900	*12,900					
-1.5 m -5'				*7200	*7200	*15600	*15600	*12900	*12900	*10800	*10800	*9200	*9200	*7800	*7800	*6500	*6500	*5200	*5200					
				*15,900	*15,900	*34,400	*34,400	*28,400	*28,400	*23,800	*23,800	*20,200	*20,200	*17,200	*17,200	*14,400	*14,400	*11,500	*11,500					
-3.0 m -10'	*2300	*2300	*4100	*4100	*7600	*7600	*14200	*14200	*11900	*11900	*10000	*10000	*8500	*8500	*7100	*7100	*5800	*5800	*4300	*4300				
	*5000	*5000	*9000	*9000	*16,800	*16,800	*31,400	*31,400	*26,200	*26,200	*22,100	*22,100	*18,700	*18,700	*15,700	*15,700	*12,800	*12,800	*9,400	*9,400				
-4.6 m -15'	*3600	*3600	*5300	*5300	*8500	*8500	*12300	*12300	*10500	*10500	*8800	*8800	*7400	*7400	*6100	*6100	*4700	*4700	*2800	*2800				
	*8000	*8000	*11,800	*11,800	*18,800	*18,800	*27,100	*27,100	*23,100	*23,100	*19,500	*19,500	*16,400	*16,400	*13,400	*13,400	*10,400	*10,400	*6,100	*6,100				
-6.1 m -20'			*6700	*6700	*9800	*9800	*9800	*9800	*8500	*8500	*7300	*7300	*6000	*6000	*4700	*4700	*3100	*3100						
			*14,700	*14,700	*21,600	*21,600	*21,700	*21,700	*18,800	*18,800	*16,000	*16,000	*13,200	*13,200	*10,300	*10,300	*6,800							
-7.6 m -25'							*6800	*6800	*6100	*6100	*5100	*5100	*4000	*4000										
							*15,000	*15,000	*13,400	*13,400	*11,300	*11,300	*8,900	*8,900										

Note: Capacities are measured at the bare stick tip.

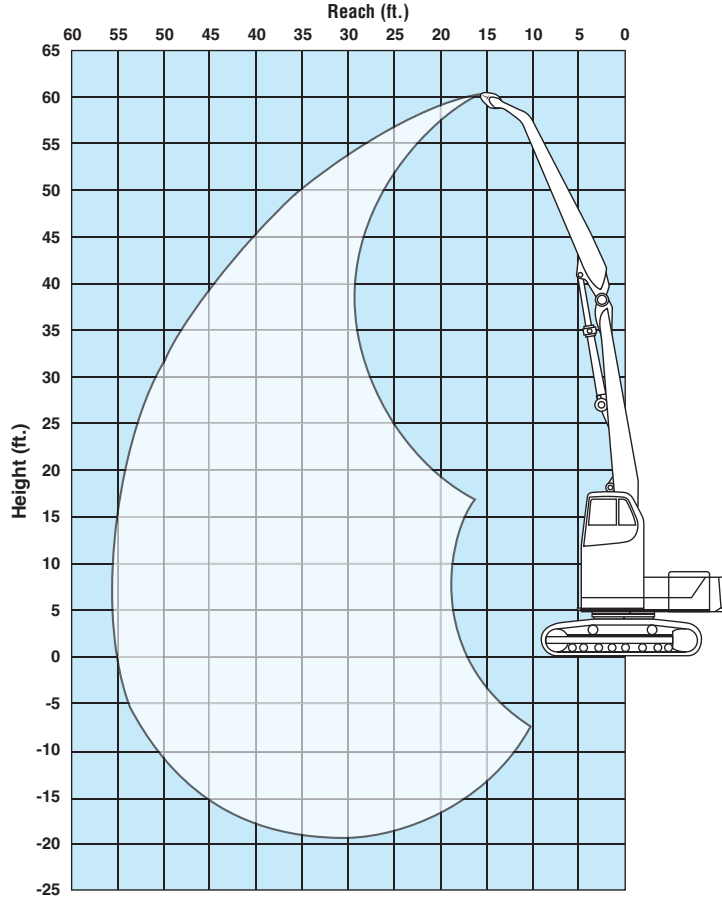
Capacities marked with an asterisk (*) are limited by hydraulic capacities rather than stabilities.

1. Lifting capacities shown do not exceed 75% of minimum tipping loads or 87% of hydraulic capacities. Data supplied by AEM.
2. Lifting capacities shown should not be exceeded. Weight of all lifting accessories must be considered part of the load.
3. Lifting capacities assume the machine is standing level on a firm, uniform supporting surface. The user must make allowances for unfavorable job conditions such as soft or uneven ground or sudden stopping of loads.
4. The least stable position is over the side.
5. The operator should be fully acquainted with the Operation Manual before operating the machine.
6. Capacities apply only to the machine equipped as stated here.
7. Capacities are based on PCSA gross rated loads.

WORKING RANGES

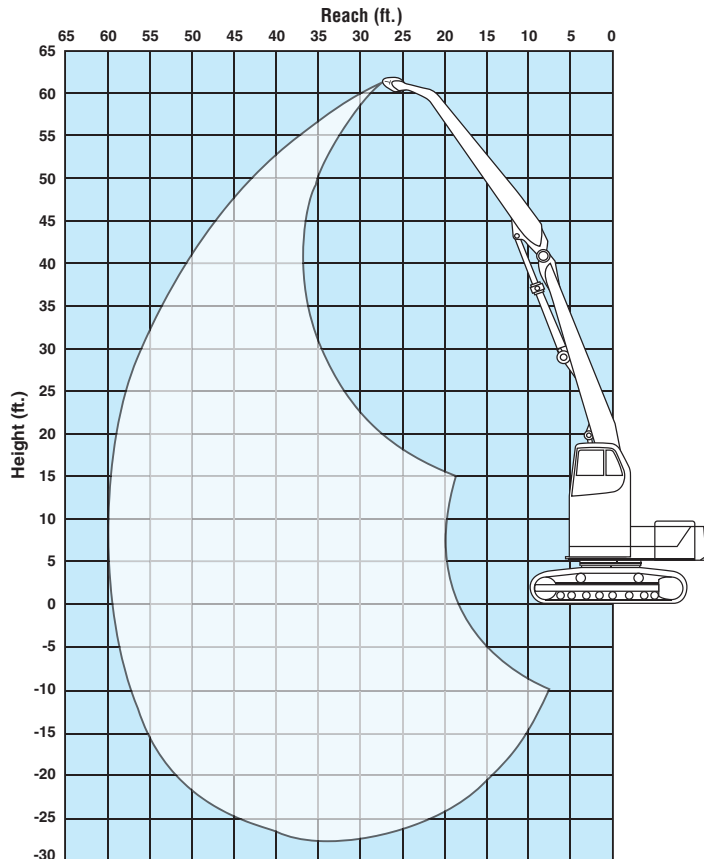
Young 2-Piece Front — 16.8 m 55'
(K02US55-PC600LC-8)

Maximum Height — 18.5 m **60'10"**
Maximum Reach — 16.8 m **55'**



Young 2-Piece Front — 18.3 m 60'
(K02US60-PC600LC-8)

Maximum Height — 18.6 m **61'2"**
Maximum Reach — 18.3 m **60'**

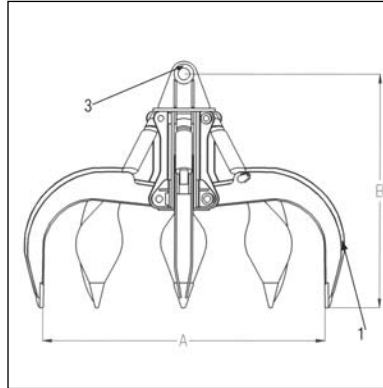


ATTACHMENTS

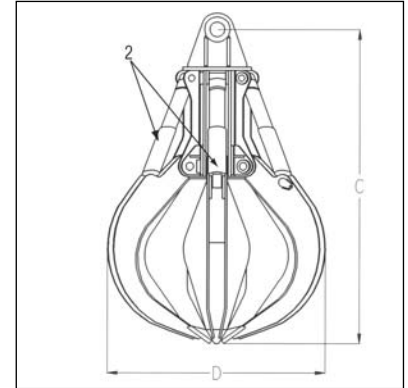
Grapple Selection Guide

Komatsu Model	PC600LC-8		
	Young		
Recommended Grapple Model	LO-300C	LO-205C	
	16.8 m 55' front	18.3 m 60' front	
Size	m ³	2.29	1.53
	yd ³	3.0	2.0
Weight	kg	3629	3402
	lb	8,000	7,500
A	mm	3200	3048
	in	126	120
B	mm	2896	2743
	in	114	108
C	mm	3480	3429
	in	137	135
D	mm	2184	1930
	in	86	76

Typical 5-Tine Grapple (Orange Peel)



1. Grapple Tines



2. Grapple Cylinders

3. Mounting Pin

Grapple Applications:

Select a grapple whose weight including material does not exceed the lift capacity shown for your specific machine.

Note: Conditions and material densities vary. Confirm your specific load density before determining safe machine balance.

General Material Weights:

1. Steel scrap, clippings compressed or bundled weigh approximately 912 kg **2,025 lbs** per yd³.
2. Shredded steel scraps, unprepared, weigh approximately 608 kg **1,350 lbs** per yd³.

General Magnet Selection Guide

Magnet Size			Generator KW Rating					Approximate Magnet Operating Weight		Lifting Capacity					
Diameter		Cold Amps	10	15	20	25	33	kg	lb	A		B		C	
in	mm									kg	lb	kg	lb	kg	lb
40	1016	30	T					816	1,800	408	900	272	600	170	375
45	1143	39	M					1270	2,800	816	1,800	499	1,100	283	625
48	1219	58		T				1315	2,900	794	1,750	526	1,160	272	600
57	1447	58		M				1860	4,100	1225	2,700	805	1,775	385	850
57	1447	80			T			1996	4,400	1225	2,700	816	1,800	385	850
66	1676	80			M			2812	6,200	1860	4,100	1247	2,750	612	1,350
66	1676	100				T		2903	6,400	1860	4,100	1247	2,750	612	1,350
72	1828	103				M		3719	8,200	2132	4,700	1429	3,150	680	1,500
72	1828	132					T	3765	8,300	2132	4,700	1429	3,150	680	1,500
78	1981	132					M	4445	9,800	2585	5,700	1776	3,915	844	1,860

T = Typical M = Maximum

Magnet Selection:

1. Select a magnet whose weight, including lifted material, does not exceed the lift capacity shown for your specific machine.
2. Select a magnet with a cold amp rating equal to or less than the figures shown in this chart.

Legend:

- A:** Pig iron and #1 hot melt; refers in general to low iron content slag or slabs.
- B:** #2 broken; scrap steel or cut offs.
- C:** Steel turnings; scrap from machining processes.



STANDARD EQUIPMENT

ENGINE AND RELATED ITEMS:

- Air cleaner, double element, dry type
- Engine, Komatsu SAA6D140E-5
- Fuel pre-filter (10 micron) with water separator
- Fuel primary filter (2 micron)
- Variable speed cooling fan, hydraulic drive, reversible

ELECTRICAL SYSTEM:

- Alternator, 75 amp, 24 V
- Batteries, 170 Ah, 2 x 12 V
- Starting motor, 11kW
- Working lights 2 (boom and RH)
- Auto decelerator

UNDERCARRIAGE:

- 750 mm **29.5"** triple grouser shoes
- 9 track/3 carrier rollers (each side)
- Hydraulic track adjusters (each side)
- Variable track gauge
- Sealed track

GUARDS AND COVERS:

- Dust-proof net for radiator and oil cooler
- Pump/engine room partition
- Track frame undercover (center)
- Travel motor guards
- Strengthened revolving frame underguard

OPERATOR ENVIRONMENT:

- Damper mount, all-weather, sound-suppressed cab with tinted glass windows, lockable door, intermittent window wiper and washer, floor mat, cigarette lighter and ashtray, automatic air conditioner, AM-FM radio, seat belt (retractable) 78 mm **3"** wide

- Multi-function color monitor, fuel control dial, service meter, gauges (coolant temperature, hydraulic oil temperature and fuel level), caution lights (electric charge, engine oil pressure, and air cleaner clogging), indicator lights (engine preheating and swing lock) level check lights (coolant and engine oil level), self-diagnostic system with trouble data memory
- Seat, fully adjustable with suspension
- Cab with pull-up type front window
- Rear view mirrors (RH & LH)

HYDRAULIC CONTROLS:

- Fully hydraulic, with Open-Center Load-Sensing (OLSS) and engine speed sensing (pump and engine mutual control system)
- One gear pump for control circuit
- Two axial piston motors for swing with single-stage relief valve
- One axial piston motor per track for travel with counter balance valve
- Two variable capacity piston main pumps
- Control valves, 5+4 spools (boom, arm, bucket, swing, and travel)
- Control levers, wrist control levers for arm, boom, bucket, and swing with PPC system
- Control levers and pedals for steering and travel with PPC system
- Oil cooler
- In-line high pressure filters
- 3 mode system (Power, Economy, Lifting)
- Two-mode setting for boom
- Power max function

- Boom and arm holding valves

DRIVE AND BRAKE SYSTEM:

- Brakes, hydraulic lock travel brakes, oil disc parking
- Hydrostatic two travel speed system with planetary triple reduction final drive

OTHER STANDARD EQUIPMENT:

- Automatic swing holding brake
- Catwalk and handrails
- Corrosion resister
- Counterweight, 13500 kg **29,762 lb**
- Grease gun, electric pump type
- Horn, electric
- Interconnected horn and warning light
- KOMTRAX™ monitoring system
- Large handrails
- Marks and plates, English
- One-touch engine oil drainage
- Paint, Komatsu standard
- PM tune-up service connector
- Power supply, 12V
- Travel alarm
- Slip-resistant plates



OPTIONAL EQUIPMENT

- Front
 - 16.8 m **55'** 2-piece MH
 - 18.3 m **60'** 2-piece MH
- Cab riser
 - 1981 mm **78"** manual tilt
- Front window guard
- Front Guard Level 2*

- Grapples
 - 1.53 m³ **2.0 yd³** orange peel
 - 2.29 m³ **3.0 yd³** orange peel
- Hydraulic plumbing for grapple
- 25 kW hydraulic drive generator (requires 1981 mm **78"** riser)
- Top Guard Level 2*

- Track roller guards (full length)
- Track frame undercover
- Widened carbody (762 mm **30"**)

* Check local regulations or requirements for Front Guard or Top Guard

AESS735-00

©2007 Komatsu America Corp.

Printed in USA

D5(2.5M)C

5/07 (EV-1)

KOMATSU®